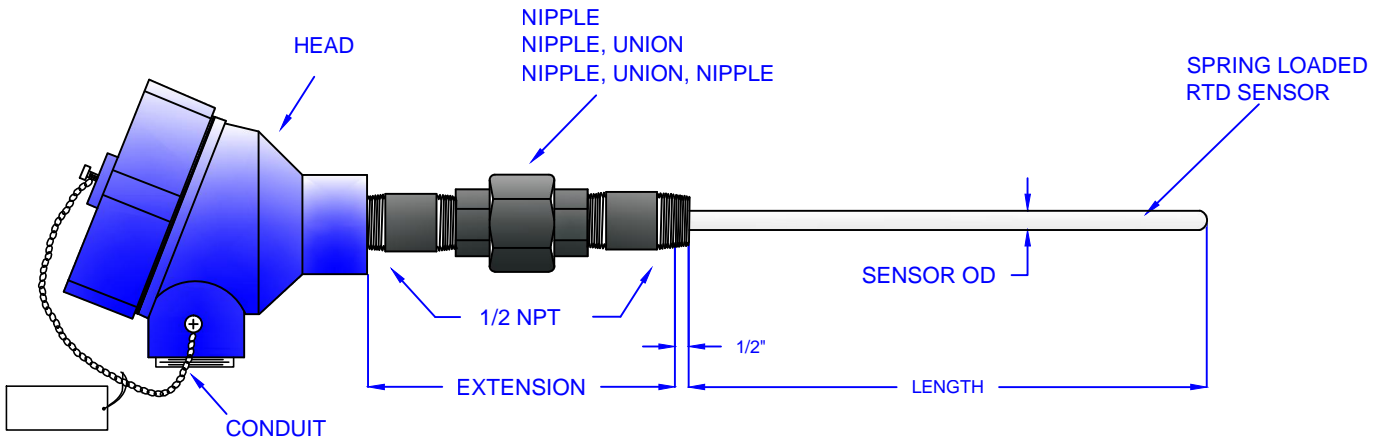


# INDUSTRIAL RTD - LESS WELL



EXAMPLE ORDERING CODE:

**IND RTD - AX - 3/4 - 250 - 316 - LT - NUN6 - 12.5 BN**



IND RTD	SINGLE
IND DRTD	DUAL

HEAD	
AL	STANDARD ALUMINUM
AX	ALUMINUM EXPLOSION PROOF
CI	CAST IRON
SS	STAINLESS STEEL

CONDUIT THREAD	
1/2	1/2" NPT
3/4	3/4" NPT

PROBE DIAMETER	
125	.125" OD
187	.187" OD
250	.250" OD
312	.312" OD
375	.375" OD

EXTENSION - LENGTH		
N	NIPPLE	3"
NU	NIPPLE UNION	3"
NUN	NIPPLE, UNION, NIPPLE	6"

CONSTRUCTION	
LT	LOW TEMP
M	MID RANGE
MI	MI CABLE
HI	HI TEMP

PROBE SHEATH	
316	316 STAINLESS
600	INCONEL 600

LENGTH BELOW NIPPLE OR UNION

PLATINUM RTD ELEMENT: .00385 TRC, 100 OHM @ 0 DEG C  
SPECIAL RTD ELEMENTS AVAILABLE UPON REQUEST

LT TEMPERATURE RANGE: -50F TO 500F  
M TEMPERATURE RANGE: -50 TO 750F  
MI TEMPERATURE RANGE: -290 TO 930F  
HT TEMPERATURE RANGE: -290 TO 1,200F