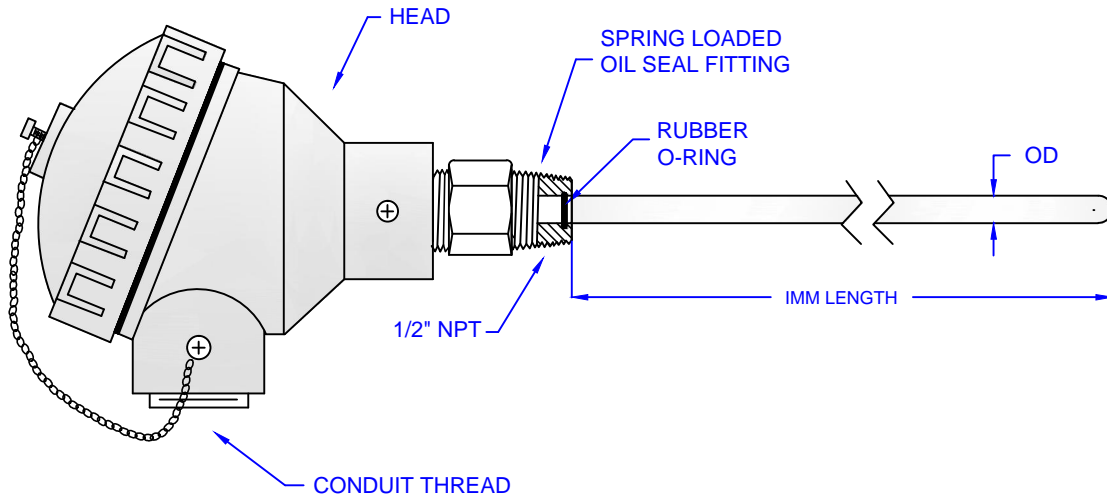


OIL SEAL THERMOCOUPLE



EXAMPLE ORDERING CODE:

TC2024 - AL - 3/4 - 304 - 250 - K - G - 12 - ST - S



MODEL NUMBER

HEAD	
AL	STANDARD ALUMINUM
AX	ALUMINUM EXPLOSION PROOF
CI	CAST IRON
SS	STAINLESS STEEL

CONDUIT THREAD	
1/2	1/2" NPT
3/4	3/4" NPT

SHEATH	
304	304 STAINLESS
316	316 STAINLESS
600	INCONEL 600

PROBE DIAMETER	
187	.187" OD
215	.215" OD
250	.250" OD

CALIBRATION	
J	IRON/CONSTANTAN
K	CHROMAL/ALUMEL
T	COPPER/CONSTANTAN
E	CHROMEL/CONSTANTAN

S	SINGLE
D	DUAL

TOLERANCE	
ST	STANDARD
SP	SPECIAL

IMM LENGTH

MEASURING JUNCTION	
G	GROUNDING
U	UNGROUNDING

RUGGED MINERAL INSULATED CABLE DESIGN.

SPRING LOADED CONSTRUCTION, MAXIMUM COMPRESSION IS 3/4".

SPECIAL DESIGNS OR MATERIALS UPON REQUEST.

MEETS ANSI AND ASTM STANDARDS FOR THERMOCOUPLE CALIBRATION TOLERANCES.